

## Full Color Numeric Display

RoHS Compliant

# AD-1221F2



## Characteristics

- 1) 1 digit numeric display
- 2) 1.2inch(30.48mm) digit height
- 3) Dimensions: 27.5x40mm
- 4) High brightness full color

### Absolute Maximum Ratings at Ta=25°C

Item	Symbol	Value			Unit
		Red	Green	Blue	
Forward Current	IF	40	30	30	mA
Peak Forward Current *1	IFP		100		mA
Reverse Voltage	VR		5		V
Power Dissipation *2	PDT		150		mW
Operating Temperature Range	Topr		-20 to +70		°C
Storage Temperature Range	Tstg		-30 to +85		°C
Soldering Temperature Range	Tsol	Hand soldering: 260°C max., 3 seconds max. Soldering DIP: 260°C max., 3 seconds max./ Preheating: 80°C max., 30 seconds max.			°C

\*1 Duty1/10, Pulse width1ms

\*2 Value when two or more devices are lit simultaneously.

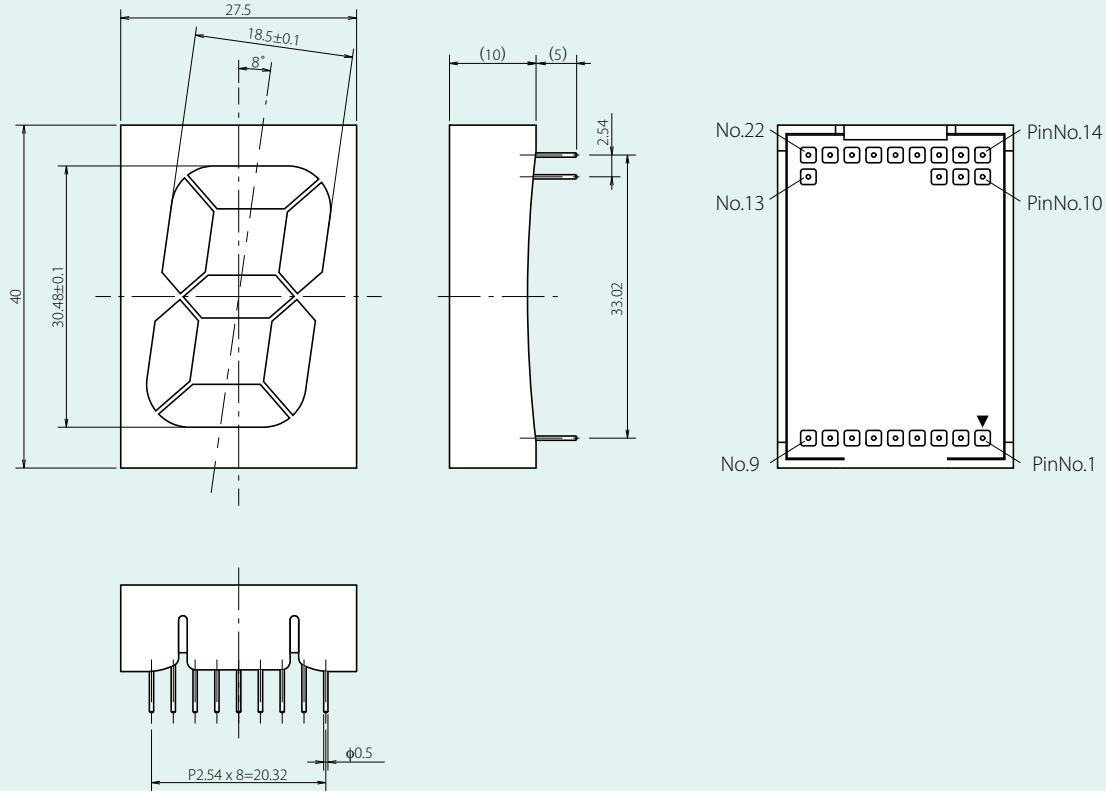
\* Value for LED 1Segment.

### Optical Characteristics at Ta=25°C

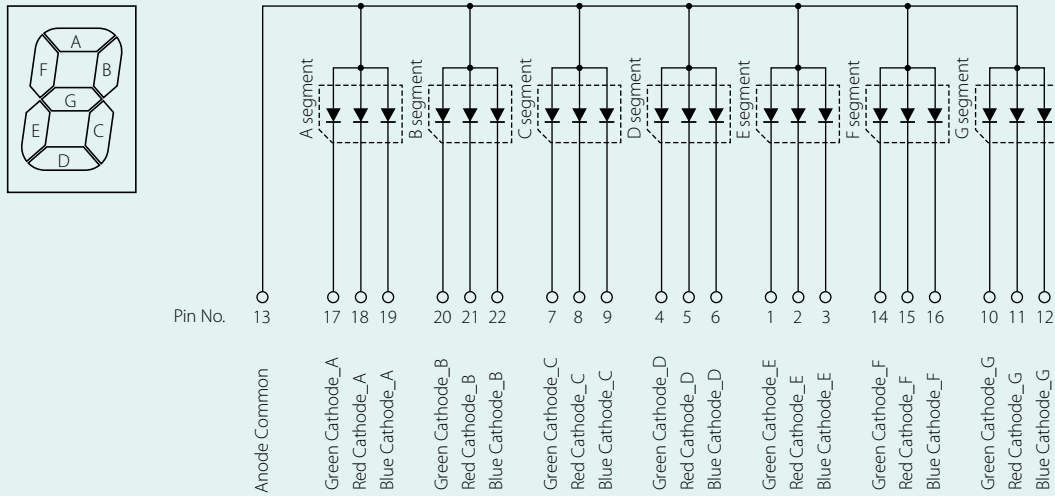
Item	Symbol	Color	Typ	Max	Unit	Condition
Forward Voltage	VF	Red	2.0	2.5		If=20mA
		Green	3.5		V	
		Blue	3.5	4.1		
Reverse Current	IR	Red				VR=5V
		Green	-	100	μA	
		Blue				
Luminous Intensity	IV	Red	144.4			If=20mA
		Green	544.8	-	mcd	
		Blue	137.3			
Dominant Wavelength	λd	Red	618			If=20mA
		Green	523	-	nm	
		Blue	468			
Spectral Line half-width	Δλ	Red	20			If=20mA
		Green	34	-	nm	
		Blue	24			

## Package Dimensions

Unit: mm  
Tolerance: ±0.2



## Circuit diagram



The appearance and specifications of the product may be modified for improvement without notice.