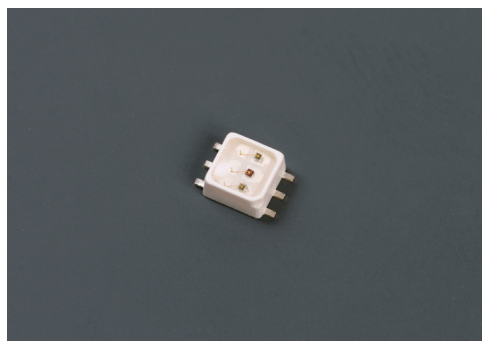


Full Color Chip LED **ALC-T33RYB**



Characteristics

- 1) Full color including white; Smooth, consistent, spatial radiation patterns**
- 2) Super high brightness**
- 3) Compact package**
- 4) High reliability**

Absolute Maximum Ratings at Ta=25°C

Item	Symbol	Value			Unit
		Red	Yellow	Blue	
Forward Current	IF	40		30	mA
Pulse Forward Current *1	IFP	100			mA
Reverse Voltage	VR	5			V
Power Dissipation *2	PDT	150			mW
Operating Temperature Range	Topr	-20 to +85			°C
Storage Temperature Range	Tstg	-30 to +100			°C
Soldering Temperature Range	Tsol	Reflow soldering: 260°C max., 5 seconds max. Soldering iron: 300°C max., 3seconds max.			°C

*1 Duty≤1/10, Pulse width≤1ms

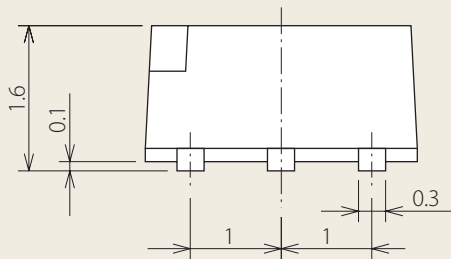
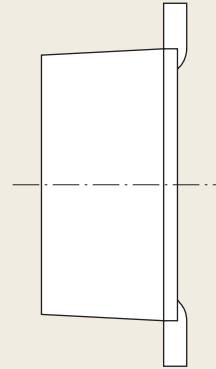
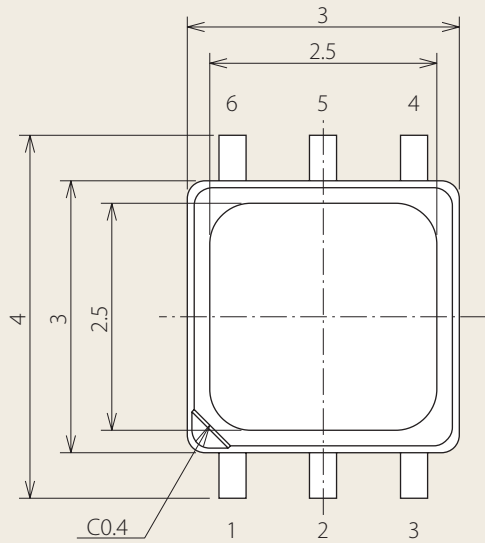
*2 Value when two or more devices are lit simultaneously.

Optical Characteristics at Ta=25°C

Item	Symbol	Color	Typ	Max	Unit	Condition
Forward Voltage	VF	Red	2.0	2.5	V	IF=20mA
		Yellow	2.0	2.5		
		Blue	3.4	4.1		
Reverse Current	IR	Red	-	100	μA	VR=5V
		Yellow	-	100		
		Blue	-	100		
Luminous Intensity	IV	Red	250	-	mcd	IF=20mA
		Yellow	300	-		
		Blue	220	-		
Dominant Wavelength	λp	Red	620	-	nm	IF=20mA
		Yellow	589	-		
		Blue	470	-		
Spectral line half-width	Δλ	Red	20	-	nm	IF=20mA
		Yellow	15	-		
		Blue	22	-		

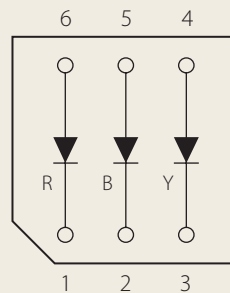
Package Dimensions

Unit: mm
Tolerance: ± 0.2



Circuit diagram

TOP VIEW



.The appearance and specifications of the product may be modified for improvement without notice.