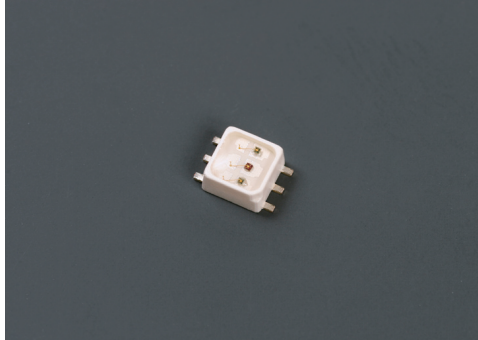


Full Color Chip LED

ALC-F33

RoHS Directive Compliant



Characteristics

- 1) Three die equals full color capabilities
- 2) Uniformed spatial radiation pattern
- 3) Compact package
- 4) High reliability

Absolute Maximum Ratings at Ta=25°C

Item	Symbol	Value			Unit
		Red	Green	Blue	
Forward Current	I _F	40	30	30	mA
Pulse Forward Current *1	I _{FP}	100			mA
Reverse Voltage	V _R	5			V
Power Dissipation *2	P _{DT}	150			mW
Operating Temperature Range	T _{opr}	-20 to +85			°C
Storage Temperature Range	T _{stg}	-30 to +100			°C
Soldering Temperature Range	T _{sol}	Reflow soldering: 260°C max., 5 seconds max. Soldering iron: 300°C max., 3 seconds max.			°C

*1 Duty≤1/10, Pulse width≤1ms

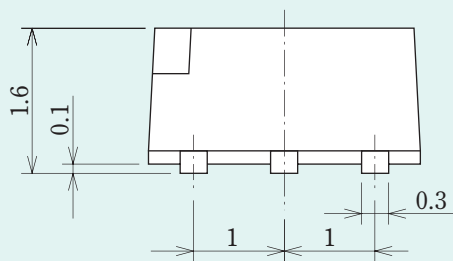
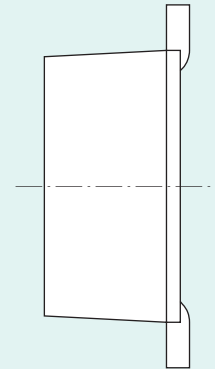
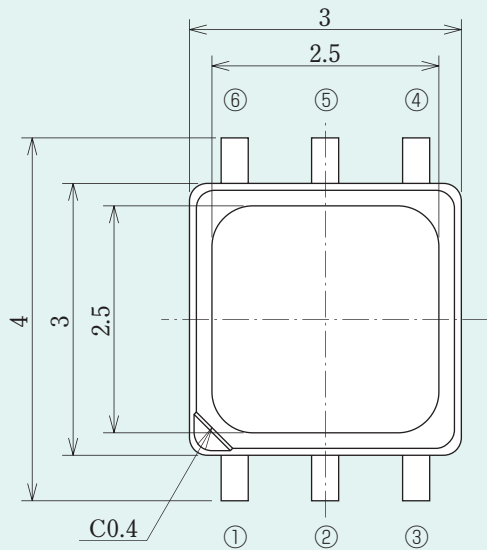
*2 Value when two or more devices are lit simultaneously.

Optical Characteristics at Ta=25°C

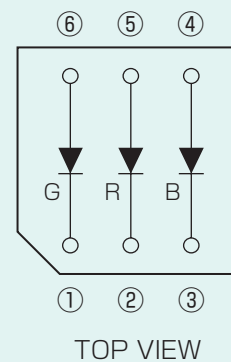
Item	Symbol	Color	Typ	Max	Unit	Condition
Forward Voltage	V _F	Red	2.0	2.5	V	I _F =20mA
		Green	3.5	4.1		
		Blue	3.4	4.1		
Reverse Current	I _R	Red	-	100	mA	V _R =5V
		Green	-	100		
		Blue	-	100		
Luminous Intensity	I _v	Red	250	-	mcd	I _F =20mA
		Green	690	-		
		Blue	220	-		
Dominant Wavelength	I _p	Red	620	-	nm	I _F =20mA
		Green	527	-		
		Blue	470	-		
Spectral line half-width	DI	Red	20	-	nm	I _F =20mA
		Green	35	-		
		Blue	22	-		

Package Dimensions

Unit : mm
Tolerance : ± 0.2



[Circuit diagram]



· The appearance and specifications of the product may be modified for improvement without notice.



US A'SYCK, CORP.

17880 Sky Park Circle, Suite 280, Irvine, CA 92614
Phone: (949)724-1618 Fax: (949)724-1686