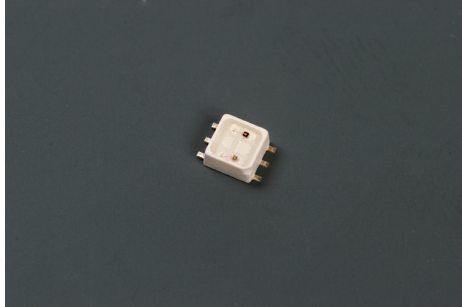


2 Color Chip LED ALC-B33

RoHS Directive Compliant



Characteristics

- 1) 2 colors; Smooth, consistent
- 2) Uniformed spatial radiation pattern.
- 3) Compact package
- 4) High reliability

ALC-B33 series Parts No.	Color			
	Red	Yellow	Green	Blue
ALC-B33RG	○	-	○	-
ALC-B33RB	○	-	-	○
ALC-B33YB	-	○	-	○

Absolute Maximum Ratings at Ta=25°C

Item	Symbol	Value				Unit
		Red	Yellow	Green	Blue	
Forward Current	I _F	40		30		mA
Pulse Forward Current *1	I _{FP}	100		100		mA
Reverse Voltage	V _R	5		5		V
Power Dissipation *2	P _{DT}	150				mW
Operating Temperature Range	T _{opr}	-20 to +85				°C
Storage Temperature Range	T _{stg}	-30 to +100				
Soldering Temperature Range	T _{sol}	Reflow Soldering: 260°C max., 5seconds max. Hand Soldering: 300°C max., 3 seconds max.				

*1 Duty≤1/10, Pulse Width≤1ms

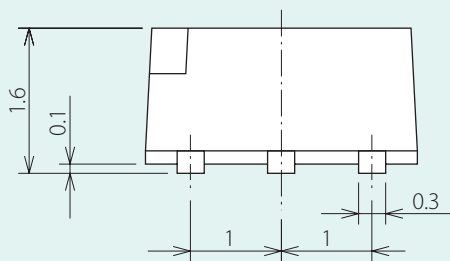
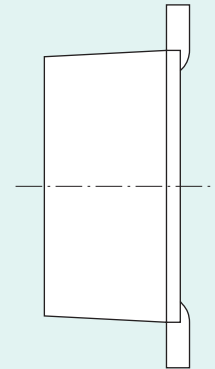
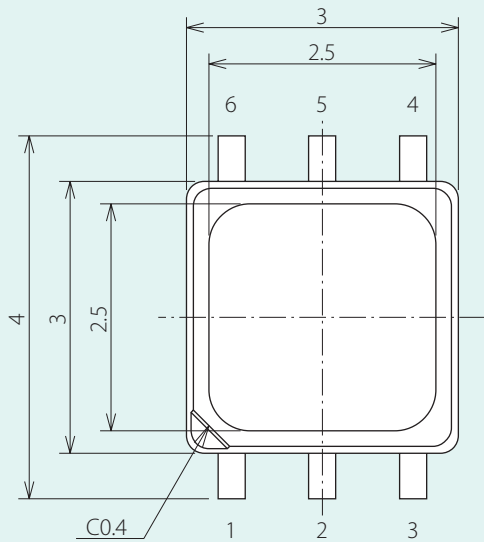
*2 Value when two devices are lit simultaneously.

Optical Characteristics at Ta=25°C

Item	Symbol	Color	Red	Yellow	Green	Blue	Unit	Condition
Forward Voltage	V _F	Typ	2.0		3.5	3.4	V	I _F =20mA
		Max	2.5		4.1			
Reverse Current	I _R	Typ	-		-		μA	V _R =5V
		Max	100		100			
Luminous Intensity	I _v	Typ	250	300	690	220	mcd	I _F =20mA
		Max	-		-			
Dominant Wavelength	λ _p	Typ	620	589	527	470	nm	I _F =20mA
		Max	-	-	-	-		
Spectral line half-width	Δλ	Typ	20	15	35	22	nm	I _F =20mA
		Max	-	-	-	-		

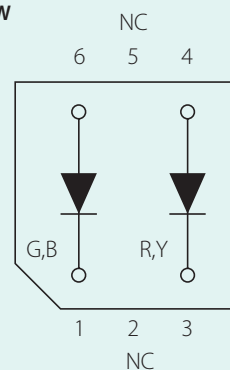
Package Dimensions

Unit: mm
Tolerance: ± 0.2



Circuit diagram

TOP VIEW



· The appearance and specifications of the product may be modified for improvement without notice.



US A'SYCK, CORP.
Manufactured by A'SYCK Co., Ltd.

17880 Sky Park Circle, Suite 280, Irvine, CA 92614
Phone: (949)724-1618 Fax: (949)724-1686

37-1, Nisiura, Hironocho, Uji City, Kyoto, JAPAN 611-0031
Phone: 010-81-774-44-6544 Fax: 010-81-774-44-6575