

Characteristics

- 1) Fullcolor: Consistent, spatial radiation patterns
- 2) Super-high brightness
- 3) High reliability, Waterproof
- 4) Wide field of vision angle
- 5) Round types: 35mm

Absolute Maximum Ratings at Ta=25°C

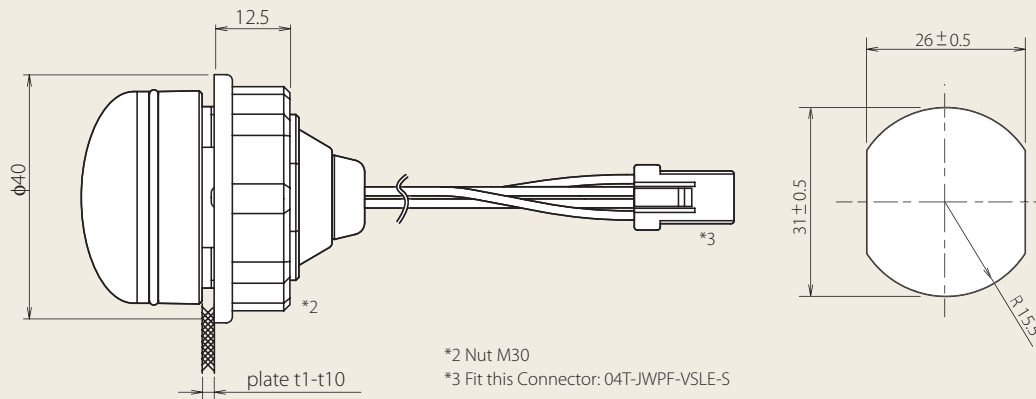
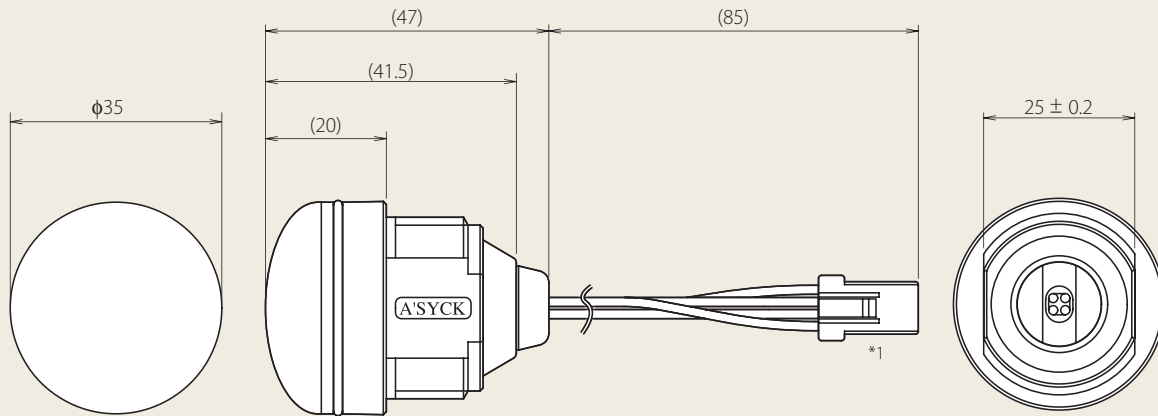
Item	Symbol	Value	Unit
Power Supply Voltage	Vcc	DC24±10%	V
Reverse Voltage	VR	5	V
Operating Temperature Range	Topr	-20 to +70	°C
Storage Temperature Range	Tstg	-30 to +85	°C

Optical Characteristics at Ta=25°C

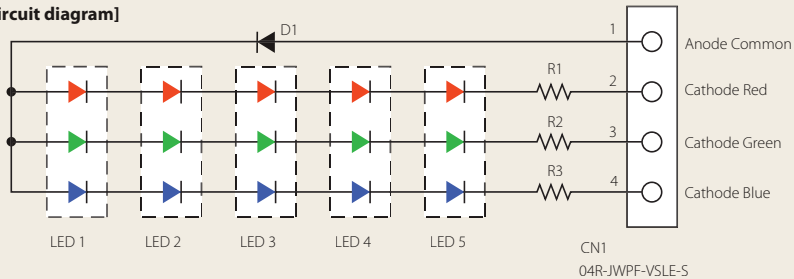
Item	Symbol	Color	Typ	Max	Unit	Condition
Power Consumption	VF	Red	-	380	mW	Vcc=24V
		Green	-	300		
		Blue	-	300		
Luminous Intensity	Iv	Red	1,250	—	mcd	If=20mA
		Green	3,450	—		
		Blue	1,100	—		
Dominant Wavelength	λp	Red	621	—	nm	If=20mA
		Green	527	—		
		Blue	470	—		
Spectral line half-width	Δλ	Red	25	—	nm	If=20mA
		Green	35	—		
		Blue	22	—		

Package Dimensions

Unit: mm
Tolerance: ± 0.2



[Circuit diagram]



* This product does not contain a resistor.

.The appearance and specifications of the product may be modified for improvement without notice.