

LED Edge Light

AI-6053W/AI-6083W



Characteristics

- 1) Three LEDs are utilized
- 2) Compact & smart package
- 3) Connectable(Max:50units)
- 4) Connectable to Light guide panel
- 5) Emmitting color : White
- 6) Long Operating Life(20,000 hours)

*At 70% of initial output

Description of Part Number

A I - 6 0 * 3 W
 (1) (2) (3) (4)

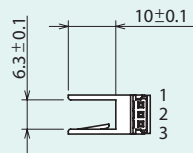
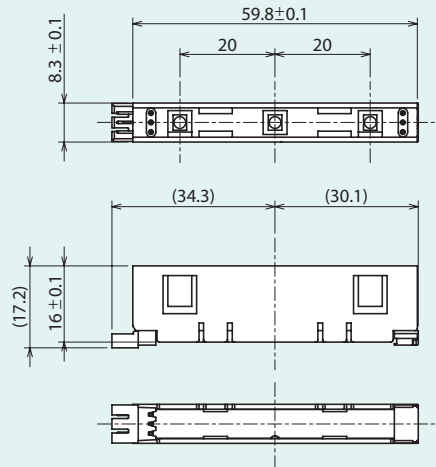
(1) Model Code	AI-60
(2) Thickness	5 : 5mm 8 : 8mm
(3) Number of LEDs	3 : 3 LEDs
(4) Luminous Color	W : White

Unit Specification

Item	Ratings	Unit
Rated Voltage	DC24	V
Power Consumption	0.5	W
Total Luminous Flux	38.5	lm
Luminous Intensity	12.5	cd
Max units of serial connect	50	units
Operating Temperature Range	-10 to +50	°C
Storage Temperature Range	-20 to +60	°C

Package Dimensions

AI-6053W

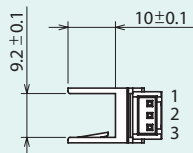
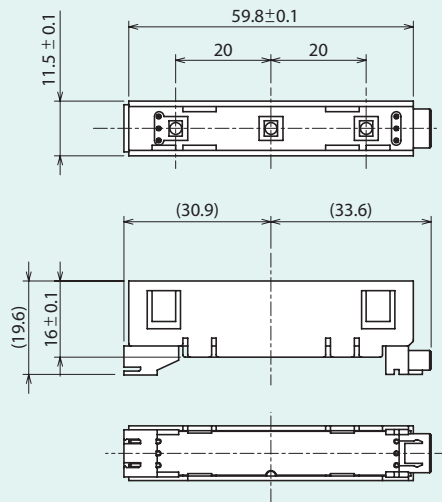


1: GND
2: GND
3: DC24V

CN1: IMSA-9176B-03L-T1
CN2: IMSA-9110S-03L

Unit: mm
Tolerance: ± 0.2

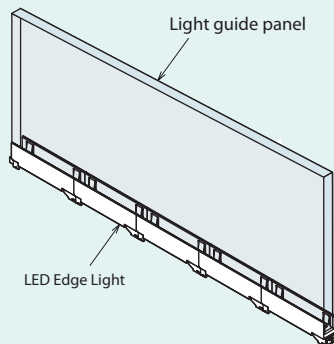
AI-6083W



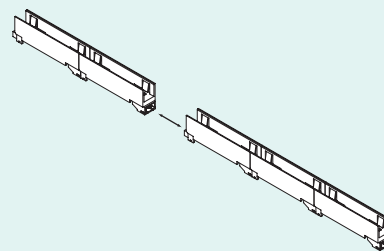
1: GND
2: GND
3: DC24V

CN1: IMSA-9176B-03L-T1
CN2: IMSA-9110S-03L

Perspectives



Connection example



The appearance and specifications of the product may be modified for improvement without notice.



US A'SYCK, CORP.

Manufactured by A'SYCK Co., Ltd.

17880 Sky Park Circle, Suite 280, Irvine, CA 92614
Phone: (949)724-1618 Fax: (949)724-1686

37-1, Nishiura, Hironocho, Uji City, Kyoto, JAPAN, 611-0031
Phone: 010-81-774-44-6544 Fax: 010-81-774-44-6575