



White LED Module

RoHS Directive Compliant

# AI-4108DA



## Characteristics

- 1) Perfect replacements for channel letters
- 2) Suitable for back light sign works
- 3) Splash proof IPX5
- 4) Long operating life (40,000 hours)  
(at 70% of Initial Output)
- 5) AC power ready

### Description of Part Number

**A I - 4 1 0 8 D A**  
 (1) (2) (3)

|                    |                   |
|--------------------|-------------------|
| (1) Model Code     | AI-4108           |
| (2) Luminous Color | D: Daylight white |
| (3) Input Voltage  | A: AC120V         |

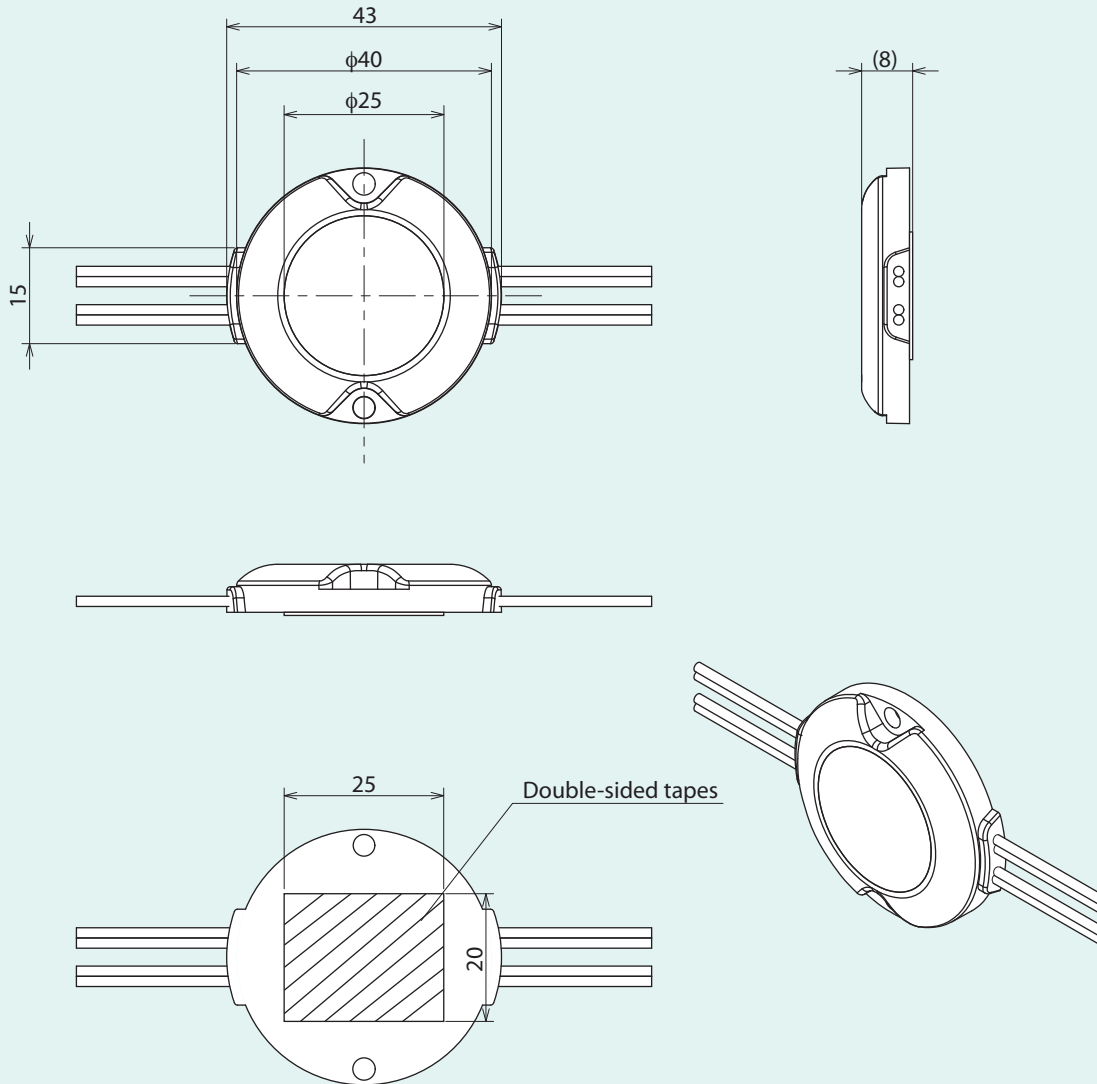
### Unit Specification at Ta=25°C

| Item                                      | Ratings        | Unit |
|---|----------------|------|
| <b>Input Voltage</b>                      | AC120V         | V    |
| <b>Power Consumption</b>                  | 0.55           | W    |
| <b>Total Luminous Flux</b>                | 45             | lm   |
| <b>Color Temperature</b>                  | 6300           | K    |
| <b>Distribution of Luminous Intensity</b> | 120°           | deg  |
| <b>Operating Temperature Range</b>        | -20 to +60     | °C   |
| <b>Operating Life time</b>                | about 40,000 * | h    |

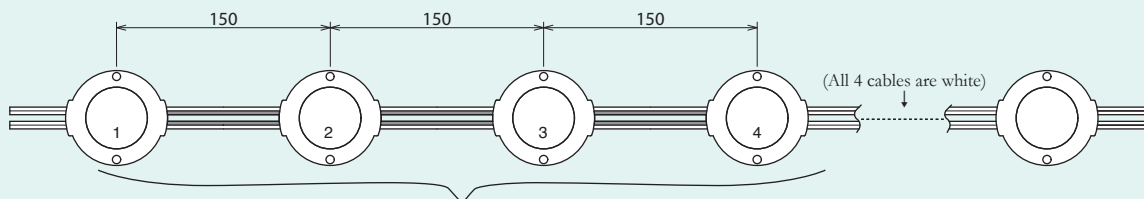
\* At 70% of initial output

## Package Dimensions

unit: mm  
Tolerance: ±0.2



### [Wiring]



A minimum Circuit Consists of 4 modules

\* A minimum circuit consists of 4 modules.

Please cut the cables between each circuit when you need to divide the modules.  
The color of the cables in divisible part are white.

· The appearance and specifications of the product may be modified for improvement without notice.