



# LED Spot Light AI-1320 series

RoHS Directive Compliant



AI-1320N-CSE

## Characteristics

- 1) Diameter 5-1/8" (130 mm)
- 2) Luminous Color: Neutral White / Warm White
- 3) Total luminous flux: 1800 lm (AI-1320N-CSE)
- 4) Base type: E39
- 5) Long operating Life: about 40,000 hours  
(at 50% of initial output)

## Description of Part Number

**A I - 1 3 2 0 \* - \* \* \***  
(1) (2) (3) (4) (5)

(1) Model Code	AI-1320
(2) Luminous Color	N : Neutral white L : Warm white
(3) Cover Lens	D : Diffused C : Colorless clear
(4) Inner Lens	S : Spot lens
(5) Input Voltage	J : AC120V E : AC200V

## Unit Specification at Ta=25°C

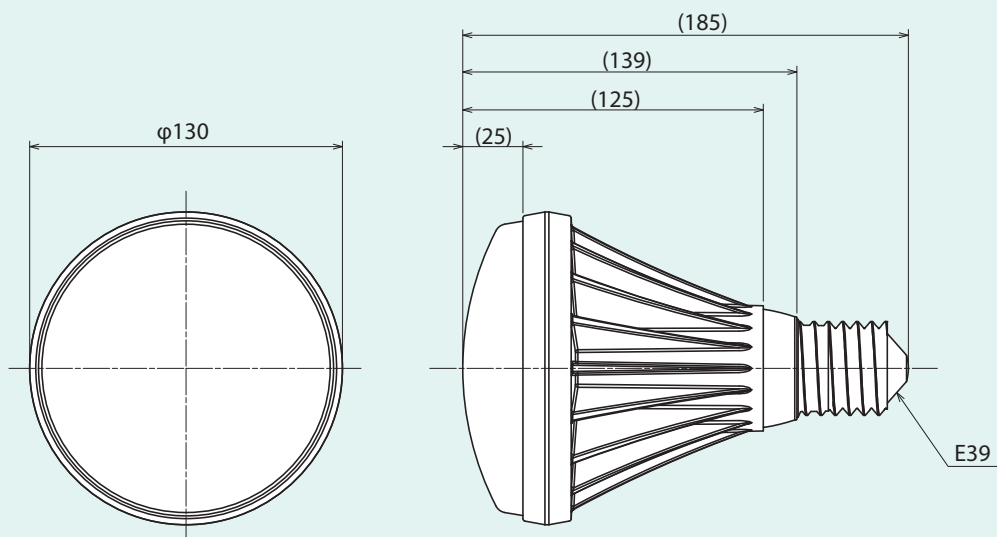
Item	Ratings		Unit
	AC120	AC200	
<b>Input Voltage</b>	AC120	AC200	V
<b>Power Consumption</b>	20	20	W
<b>Drivng Current</b>	0.31	0.19	A
<b>Total Luminous Flux</b>	1,800 (Neutral white) /1,400 (Warmwhite) *1		lm
<b>Illuminance</b>	600 (Neutral white) /470 (Warmwhite)		lx
<b>Beam Angle</b>	22		degree
<b>Operating Temperature Range</b>	-10 to +40		°C
<b>Operating Life time</b>	about 40,000 *2		h
<b>Weight</b>	about 700		g

\*1 Cover Lens : Colorless clear

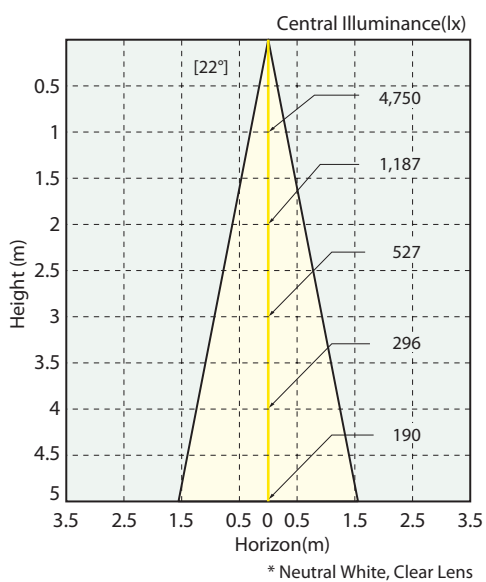
\*2 At 50% of initial output

## Package Dimensions

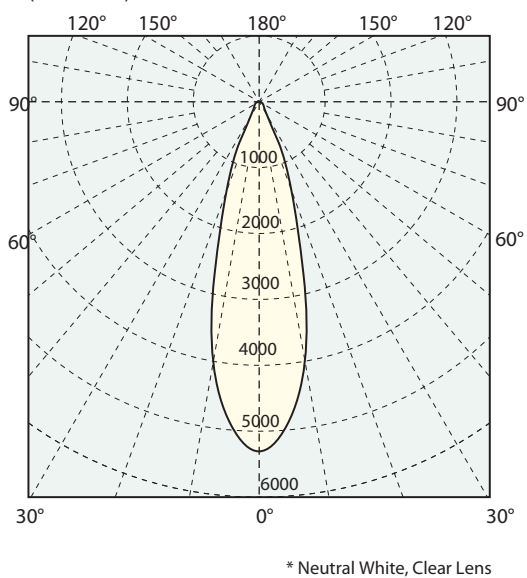
unit: mm  
Tolerance:  $\pm 0.2$



[Horizontal Illuminance]



[Illuminance Distribution Curve]  
(cd/1000lm)



· The appearance and specifications of the product may be modified for improvement without notice.