



Full Color Numeric Display

RoHS Directive Compliant

AD-1221F



Characteristics

- 1) 1 digit numeric display
- 2) 30.48mm digit height
- 3) Dimensions: 27.5x40mm
- 4) High brightness full color

Absolute Maximum Ratings at Ta=25°C

| Item | Symbol | Value | | | Unit |
|-----------------------------|--------|----------------------------|-------------|------|------|
| | | Red | Green | Blue | |
| Forward Current | IF | 40 | 30 | 30 | mA |
| Peak Forward Current *1 | IFP | | 100 | | mA |
| Reverse Voltage | VR | | 5 | | V |
| Power Dissipation *2 | PDT | | 150 | | mW |
| Operating Temperature Range | Topr | | -20 to +85 | | °C |
| Storage Temperature Range | Tstg | | -30 to +100 | | °C |
| Soldering Temperature Range | Tsol | 260°C max., 3 seconds max. | | | °C |

*1 Duty≤1/10, Pulse width≤1ms

*2 Value when two or more devices are lit simultaneously.

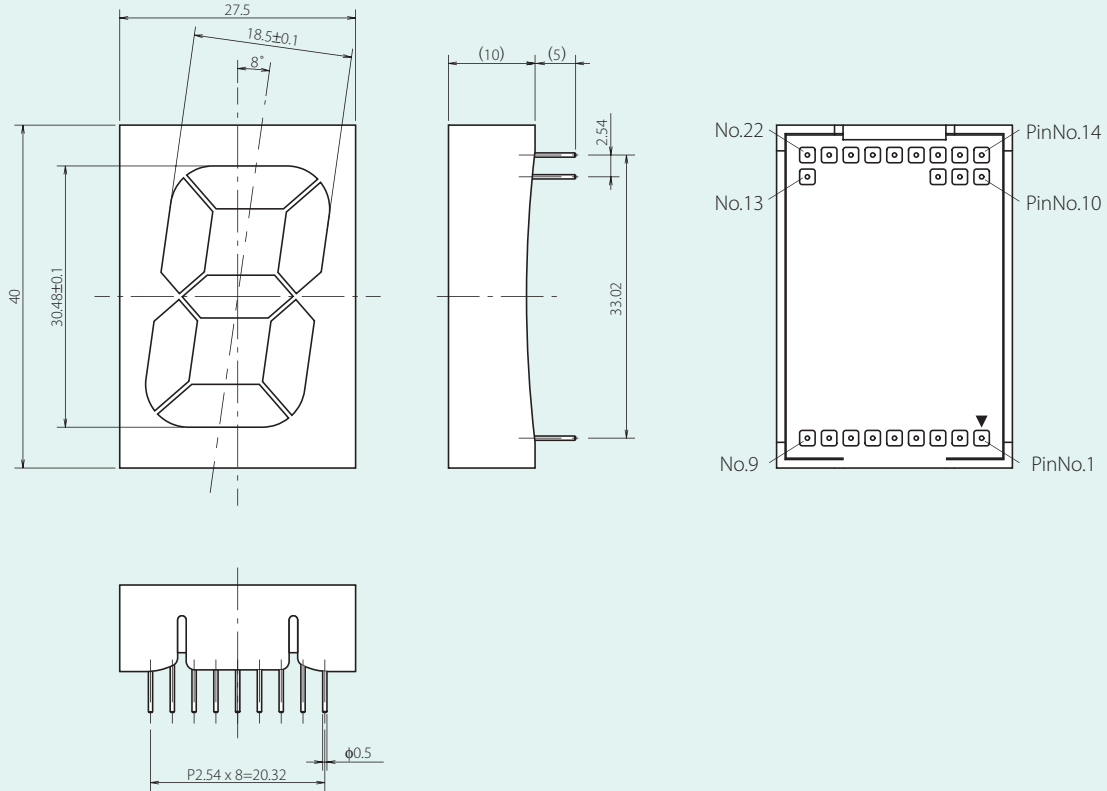
* Value for LED 1Segment.

Optical Characteristics at Ta=25°C

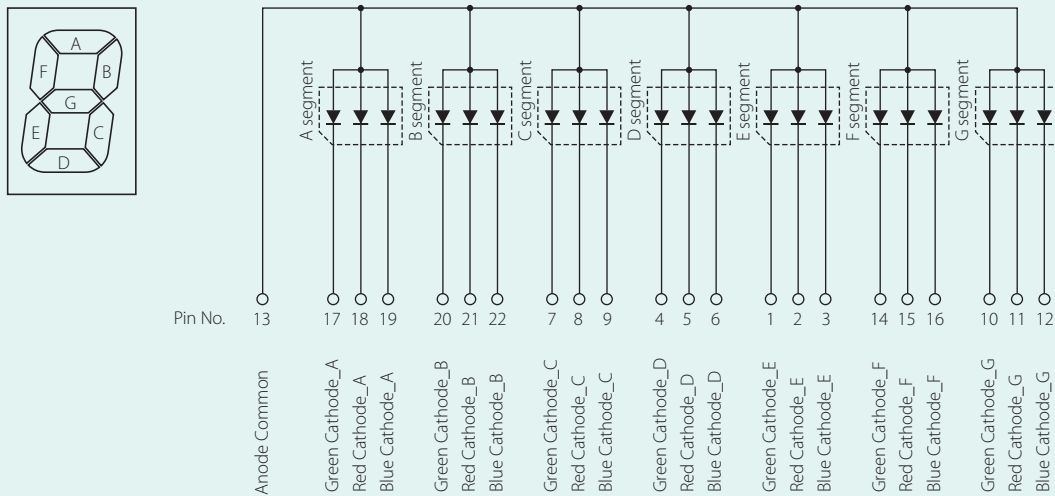
| Item | Symbol | Color | Typ | Max | Unit | Condition |
|--------------------------|--------|-------|-----|-----|------|-----------|
| Forward Voltage | VF | Red | 2.0 | 2.5 | | IF=20mA |
| | | Green | 3.8 | 4.2 | v | |
| | | Blue | | | | |
| Reverse Current | IR | Red | | | | VR=5V |
| | | Green | - | 100 | μA | |
| | | Blue | | | | |
| Luminous Intensity | IV | Red | 160 | | | IF=20mA |
| | | Green | 400 | - | mcd | |
| | | Blue | 150 | | | |
| Dominant Wavelength | λd | Red | 620 | | | IF=20mA |
| | | Green | 525 | - | nm | |
| | | Blue | 470 | | | |
| Spectral Line half-width | Δλ | Red | 20 | | | IF=20mA |
| | | Green | 35 | - | nm | |
| | | Blue | 25 | | | |

Package Dimensions

Unit: mm
Tolerance: ± 0.2



Circuit diagram



The appearance and specifications of the product may be modified for improvement without notice.